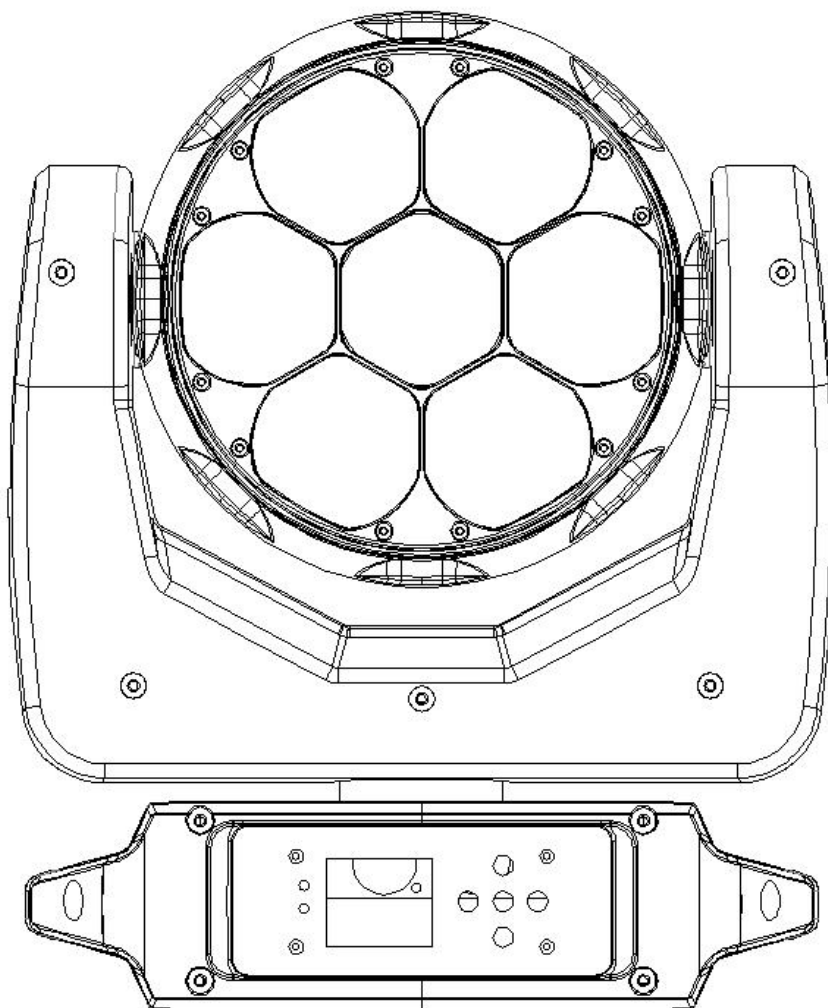


# LED Moving Head

7pcs 40W RGBW 4-in-1 LED



CE F IP20 LED  $\left( \text{---} 0.2\text{m} \right) \left( \text{|||||} \right) t_a 40^\circ\text{C} t_c 150^\circ\text{C}$

## User Manual

**KEEP THIS MANUAL FOR FUTURE NEEDS**

## 1. Unpacking

Thank you for choosing our fixture. For your own safety, please read this manual before installing the device. This manual covers the important information on installation and applications. Please install and operate the fixture with following instructions. Meanwhile, please keep this manual well for future needs.

This fixture is made of a new type of high temperature strength of engineering plastics and cast aluminum casing with nice outlook. The fixture is designed and manufactured strictly following CE standards, complying with international standard DMX512 protocol. It's available independently controlled and linkable with each other for operation. And it is applicable for large-scale live performances, theater, studio, nightclubs and discos.

4-IN-1 LEDs(RGBW) which features high brightness and stability. Please carefully unpack it when you receive the fixture and check whether it is damaged during the transportation. And please check whether the following items are included inside the box:

LED Moving head----One

Power Cable----One

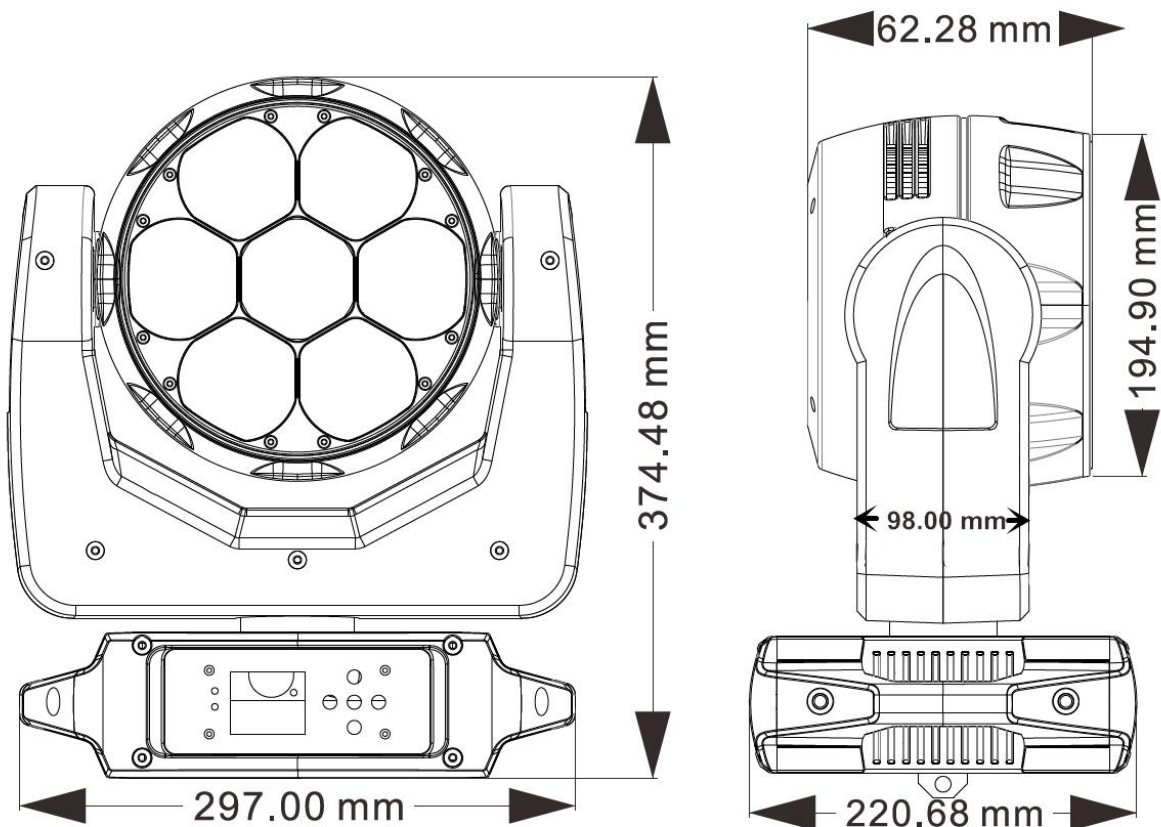
3-Pin Signal Cable----One

Safety Cable----one

Omega Branket----Two

User Manual----One

## 2. Fixture size



### 3. Safety Instructions



#### CAUTION!

Be careful with your operations. With a dangerous voltage you can suffer a dangerous electric shock when touching wires!

This device has left the factory in perfect condition. In order to maintain this condition and to ensure a safe operation, it is absolutely necessary for the user to follow the safety instructions and warning notes written in this user manual.



#### Important:

*Damages caused by the disregard of this user manual are not subject to warranty. The dealer will not accept liability for any resulting defects or problems.*

If the device has been exposed to temperature changes due to environmental changes, do not switch it on immediately. The arising condensation could damage the device. Leave the device switched off until it has reached room temperature.

This device falls under protection-class I. Therefore it is essential that the device be earthed.

The electric connection must carry out by qualified person.

The device shall only be used with rate voltage and frequency.

Make sure that the available voltage is not higher than stated at the end of this manual.

Make sure the power cord is never crimped or damaged by sharp edges. If this would be the case, replacement of the cable must be done by an authorized dealer.

Always disconnect from the mains, when the device is not in use or before cleaning it. Only handle the power cord by the plug. Never pull out the plug by tugging the power cord.

During initial start-up some smoke or smell may arise. This is a normal process and does not necessarily mean that the device is defective, it should decrease gradually.

Please don't project the beam onto combustible substances.

Fixtures cannot be installed on combustible substances, keep more than 50cm distance with wall for smooth air flow, so there should be no shelter for fans and ventilation for heat radiation.

If the external flexible cable or cord of this luminaire is damaged, it shall be exclusively replaced by the manufacturer or his service agent or a similar qualified person in order to avoid a hazard.

Don't use the fixture in RGBW full on for more than 10 minutes incase of high temperature damage the fixtures.

## ***4. Operation Instructions***

- The fixture is for wash effect for on-site decoration purpose.
- Don't turn on the fixture if it's been through severe temperature difference like after transportation because it might damage the light due to the environment changes. So make sure to operate the fixture until it is in normal temperature.
- This light should be keep away from strong shaking during any transportation or movement.
- Don't pull up the light by only the head, or it might cause damages to the mechanical parts.
- Don't expose the fixture in overheat, moisture or environment with too much dust when installing it. And don't lay any power cables on the floor. Or it might cause electronic shock to the people.
- Make sure the installation place is in good safety condition before installing the fixture.
- Make sure to put the safety chain and check whether the screws are screwed properly when installing the fixture.
- Make sure the lens are in good condition. It's recommended to replace the units if there are any damages or severe scratch.
- Make sure the fixture is operated by qualified personnel who knows the fixture before using.
- Keep the original packages if any second shipment is needed.
- Don't try to change the fixtures without any instruction by the manufacturer or the appointed repairing agencies.
- It is not in warranty range if there are any malfunctions from not following the user manual to operate or any illegal operation, like shock short circuit, electronic shock, lamp broke, etc.

## ***5. Mounting and Installation***

**Cautions:** For added protection mount the fixtures in areas outside walking paths, seating areas, or in areas were the fixture might be reached by unauthorized personnel.

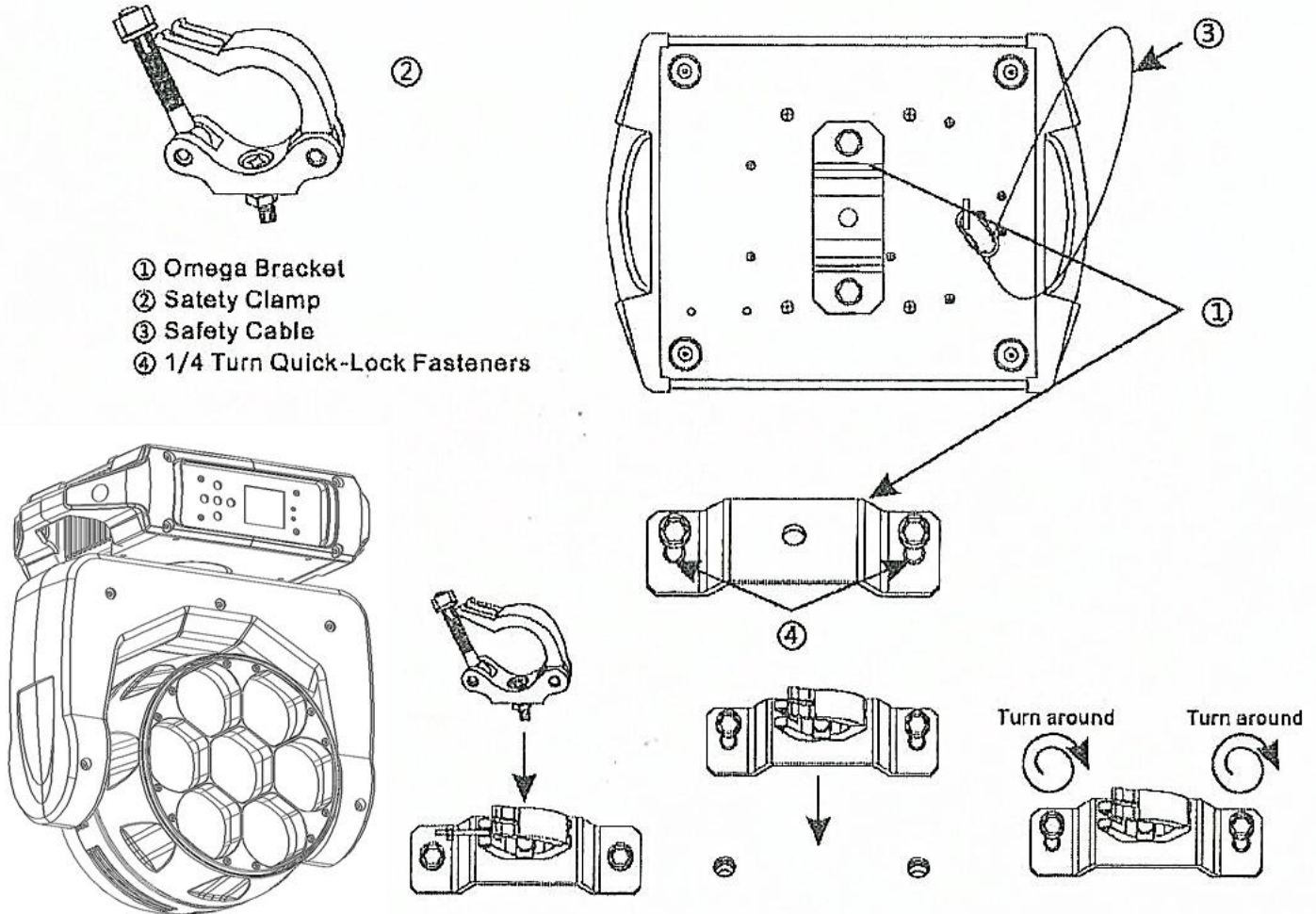
Before mounting the fixture to any surface, make sure that the installation area can hold a minimum point load of 10 times the device's weight.

Fixture installation must always be secured with a secondary safety attachment, such as an appropriate safety cable.

Never stand directly below the device when mounting, removing, or servicing the fixture from a periodic safety inspection of all installation material and the fixture. If you lack these qualifications, do not attempt the installation yourself. Improper installation can result in bodily injury.

Be sure to complete all rigging and installation procedures before connecting the main power cord to the appropriate wall outlet.

**Clamp Mounting:** The Zoom Wash provides a unique mounting bracket assembly that integrates the bottom of the base, and the safety cable rigging point in one unit (see the illustration below). When mounting this fixture to truss be sure to secure an appropriately rated clamp to the included omega bracket using a M10 screw fitted through the center hole of the “omega bracket”. As an added safety measure be sure to attached at least one properly rated safety cable to the fixture using on of the safety cable rigging point integrated in the base assembly



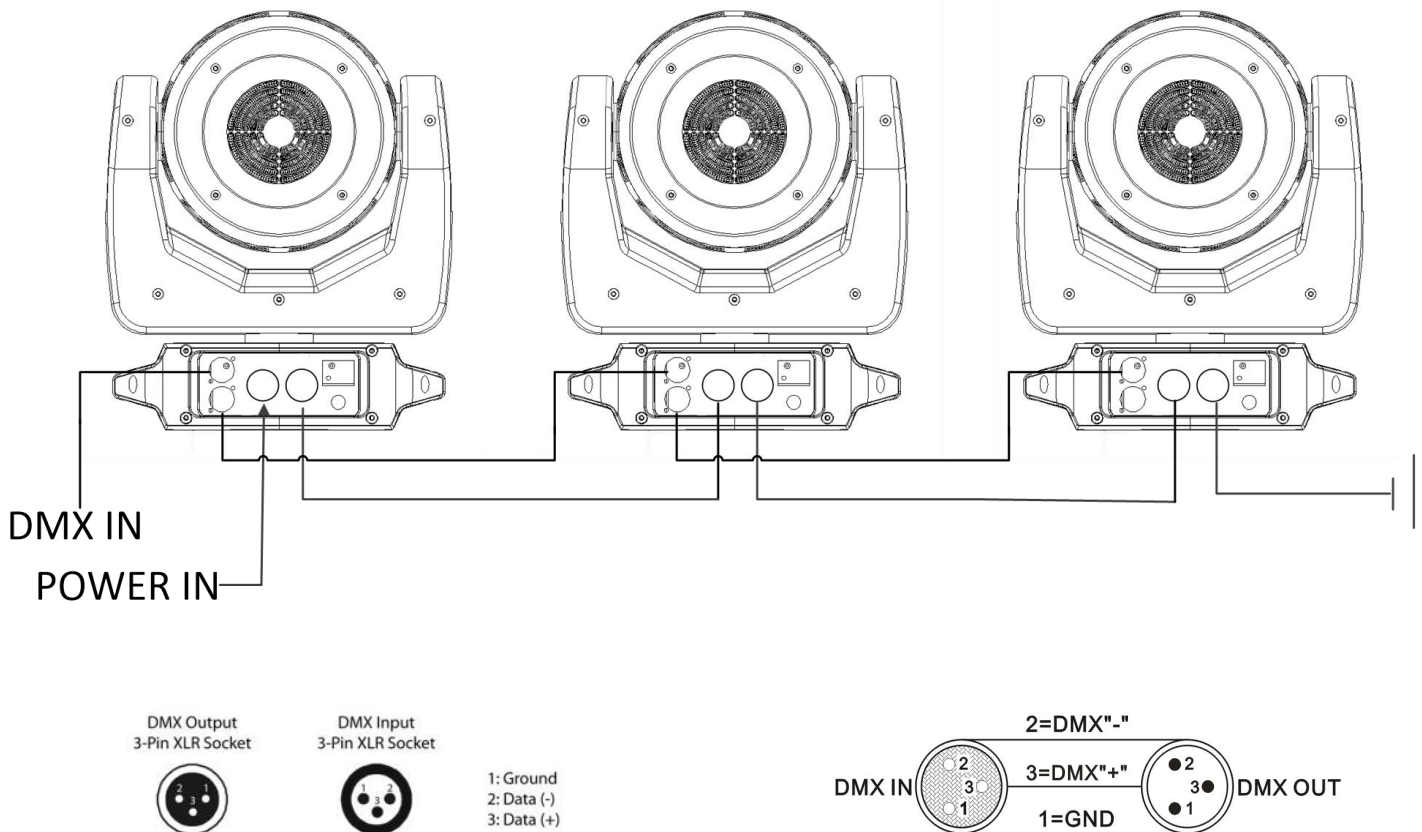
Regardless of the rigging option you choose for your Zoom wash, always be sure to secure your fixture with a safety cable. The fixture provides a built-in rigging point for a safety cable on the hanging bracket as illustrated above. Be sure to only use the designated rigging point for the safety cable and never secure a safety cable to a carrying handle.

## 6. DMX-512 control connections

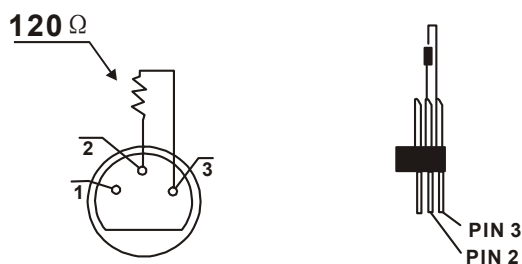
Connect the provided XLR cable to the female 3-pin XLR output of your controller and the other side to the male 3-pin XLR input of the moving head. (5-pin connect way is similar)

You can chain multiple Moving heads be connected together through serial linking. The cable needed should be two core, screened cable with XLR input and output connectors. Please refer to the diagram below.

DMX-512 connection with DMX terminator



For installations where the DMX cable has to run a long distance or is in an electrically noisy environment, such as in a discotheque, it is recommended to use a DMX terminator. This helps in preventing corruption of the digital control signal by electrical noise. The DMX terminator is simply an XLR plug with a 120 Ω resistor connected between pins 2 and 3, which is then plugged into the output XLR socket of the last fixture in the chain. Please see illustrations below.



## 7. DMX Channels

### 19CH

Channel	Function	DMX vale	Description
1	Pan	0 - 255	Pan movement
2	Pan Fine	0 - 255	Pan fine
3	Tilt	0 - 255	Tilt movement
4	Tilt Fine	0 - 255	Tilt fine
5	Pan/Tilt speed	0 - 255	Pan/Tilt speed control
6	Focusing motor operation	0 - 255	Adjust forward rotation at 0-255 and reverse rotation at downward adjustment.
7	Dimmer	0-255	0-100% dimmer
8	Strobe	0 - 84	Strobe from slow to fast
		85 - 170	Random strobe
		171 – 255	Lightning strobe from slow to fast
9	Red	0 - 255	0-100% Green dimmer
10	Green	0 - 255	0-100% Blue dimmer
11	Blue	0-255	0-100% White dimmer
12	White	0-255	0-100% White dimmer
13	Color temperature adjustment	0-255	Color temperature adjustment
14	Color mixing	0-127	Gradient, speed is adjusted from slow to fast
		128-255	Jump, speed is adjusted from slow to fast.
15	Macro color	0 - 255	(0-20) no function, When it is greater than 20, each additional 12 corresponds to a built-in program.
16	Macro color speed	0-255	0-255 speed up slower, 0 fastest speed.
17	Background color brightness adjustment	0 - 255	Background color brightness adjustment
18	Background color selection	0 - 255	Average corresponds to 8 background colors
19	Reset	0 - 244	No function
		245 - 255	Reset

# 47 CH

Channel	Function	DMX vale	Description
1	Pan	0 - 255	Pan movement
2	Pan Fine	0 - 255	Pan fine
3	Tilt	0 - 255	Tilt movement
4	Tilt Fine	0 - 255	Tilt fine
5	Pan/Tilt speed	0 - 255	Pan/Tilt speed control
6	Focusing motor operation	0 - 255	Adjust forward rotation at 0-255 and reverse rotation at downward adjustment.
7	Dimmer	0-255	0-100% dimmer
8	Strobe	0 - 84	Strobe from slow to fast
		85 - 170	Random strobe
		171 - 255	Lightning strobe from slow to fast
9	Red	0 - 255	0-100% Green dimmer
10	Green	0 - 255	0-100% Blue dimmer
11	Blue	0-255	0-100% White dimmer
12	White	0-255	0-100% White dimmer
13	Color temperature adjustment	0-255	Color temperature adjustment
14	Color mixing	0-127	Gradient, speed is adjusted from slow to fast
		128-255	Jump, speed is adjusted from slow to fast.
15	Macro color	0 - 255	(0-20) no function, When it is greater than 20, each additional 12 corresponds to a built-in
16	Macro color speed	0-255	0-255 speed up slower, 0 fastest speed.
17	Background color brightness adjustment	0 - 255	Background color brightness adjustment
18	Background color selection	0 - 255	Average corresponds to 8 background colors
19	Reset	0 - 244	No function
		245 - 255	Reset
20	First red dimming	0 - 255	The first red dimming, linear dimming, from dark to bright
21	First green dimming	0 - 255	The first green dimming, linear dimming, from dark to bright
22	First blue dimming	0 - 255	The first red dimming, linear dimming, from dark to bright
23	First white dimming	0 - 255	The first red dimming, linear dimming, from dark to bright
24	.....	.....	.....
44	Seventh red dimming		The Seventh red dimming, linear dimming, from dark to bright
45	Seventh green dimming		The Seventh green dimming, linear dimming, from dark to bright
46	Seventh blue dimming		The Seventh blue dimming, linear dimming, from dark to bright
47	Seventh white dimming		The Seventh white dimming, linear dimming, from dark to bright



## 8. Display instruction

	English display		Chinese display		Description
1	DMX	Addr setting	地址设置		Press the up and down keys to adjust the address
2	Manual	Pan	手动	水平	Press the up and down keys to place the X motor
		Pan Fine		水平微调	Press the up and down keys to fine tune the X
		Tilt		垂直	Press the up and down keys to place the Y motor
		Tilt Fine		垂直微调	Press the up and down keys to fine tune the Y
		Motor Speed		电机速度	(0-255) set the motor speed, 0 fastest; 255
		Focus		调焦	Press the up and down keys to place the focus
		Global DIM		总亮度	(0-255) total brightness adjustment
		Strobe		频闪	(0-84) Normal strobe is adjusted from slow to fast;
		R-DIM		红色亮度	Press the up and down keys to adjust the red
		G-DIM		绿色亮度	Press the up and down keys to adjust the
		B-DIM		蓝色亮度	Press the up and down keys to adjust the
		W-DIM		白色亮度	Press the up and down keys to adjust the
		CCT- DIM		色温调节	(0-255) Color temperature adjustment.
		Mixture		混色	(0-127) Gradient, speed is adjusted from slow to fast;
		Macro		宏功能	(0-20) No function; when greater than 20, each
		Macro Speed		宏速度	(0-255) Macro function speed adjustment; 0 fastest,
Back Bright	背景亮度	(0-255) Macro function effect Background color			
Back Color	背景颜色	(0-255) corresponds to an average of 8 background			
Reset	复位	(0-244) No function; (245-255) Stay 5 seconds			
3	Test	PROG	测试	内置程序	Press the up and down keys to select the built-in
		PROG-SPEED		程序速度	Press the up and down keys to select the
		Test		测试	Press the up and down keys to enter the voice
4	Option	DmxChs	设置	DMX 通道	Press the up and down keys to select the channel
		X -MIRROR		X 镜像	Press the up and down keys to enter whether to
		Y-MIRROR		Y 镜像	Press the up and down keys to enter whether to
		LCD inverse		倒显	Select the display to reverse.
		Back light		背光	Set whether to turn off the backlight.
5	EN/CHS	English	语言	中文	Set Chinese and English display.
6	Info		信息		System version time and other information.

## **9. Key Features**

Voltage: AC90-240V 50-60HZ

Max Power: 350W

Source: 7pcs 40w high brightness RGBW 4-in-1 leds

Dimmer: 0-100% linear dimming system

Strobe: 1-25 times/second

Pan:540°+ fine     Tilt:270° +fine

Zoom: 5-60°Smooth and fast zoom system

LED working lifetime: Average 50,000 hours with low power consumption

Channel: 19/47 two DMX channel mode

Control: DMX512/master-slave/auto/sound

Color: RGBW infinite mixture

Display: LCD display

Fixture size: 297 mm\*220 mm\*374 mm

N.W: 8.9KG

## 10. Maintenance and Cleaning

The following points have to be considered during the inspection:

1. All screws for installing the devices or parts of the device have to be tightly connected and must not be corroded.
2. There must not be any deformations on the housing, color lenses, fixations and installation spots (ceiling, suspension, trussing).
3. Mechanically moved parts must not show any traces of wearing and must not rotate with unbalances.
4. The electric power supply cables must not show any damage, material fatigue or sediments.

Further instructions depending on the installation spot and usage have to be adhered by a skilled installer and any safety problems have to be removed.



### CAUTION!

Disconnect from mains before starting maintenance operation.

In order to make the lights in good condition and extend the life time, we suggest a regular cleaning to the lights.

- 1) Clean the inside and outside lens each week to avoid the weakness of the lights due to accumulation of dust.
- 2) Clean the fan each week.
- 3) A detailed electric check by approved electrical engineer each three month, make sure that the circuit contacts are in good condition, prevent the poor contact of circuit from overheating.

We recommend a frequent cleaning of the device. Please use a moist, lint- free cloth. Never use alcohol or solvents. There are no serviceable parts inside the device. Please refer to the instructions under "Installation instructions". Should you need any spare parts, please order genuine parts from your local dealer

